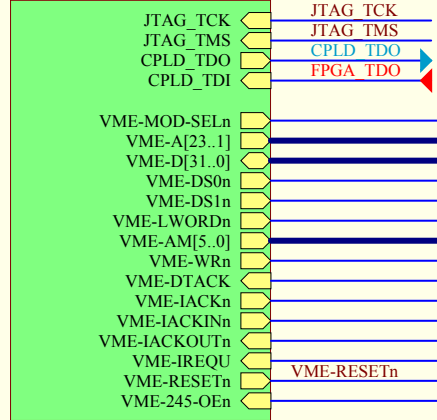


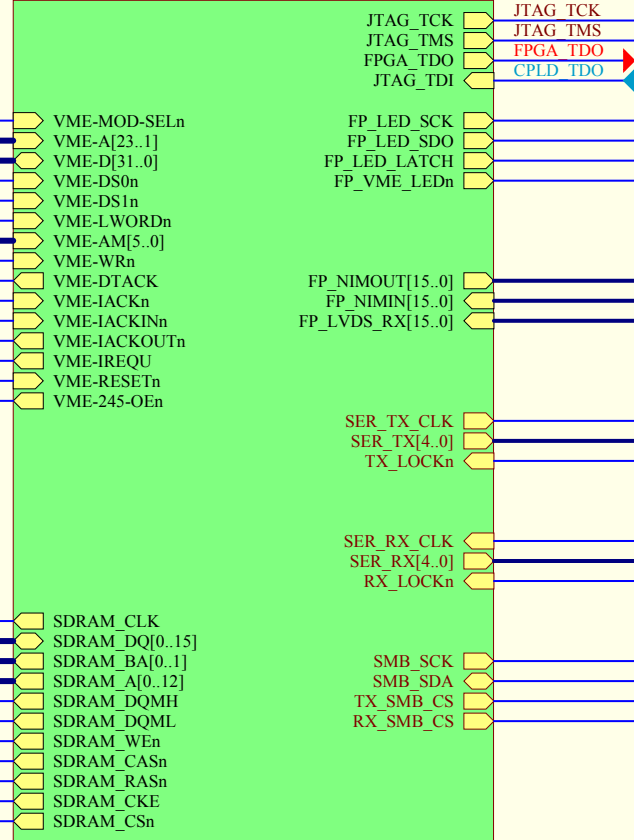
VME

VME-NIMIO32 - VME Interface.SchDoc



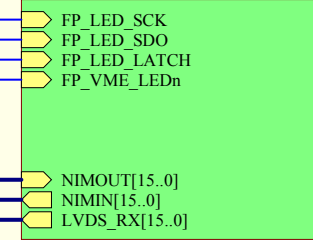
FPGA

VME-NIMIO32 - Trigger Logic.SCHDOC



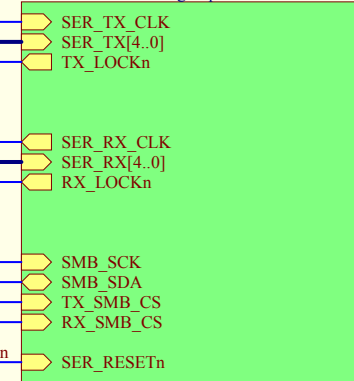
FP

VME-NIMIO32 - Front Panel.SCHDOC



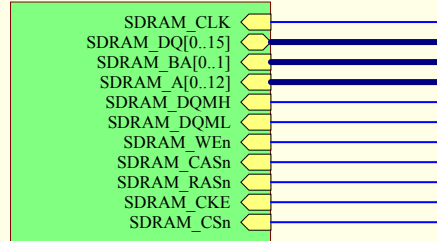
SERIAL

VME - NIMIO32 - High Speed Serial.SchDoc



SDRAM

VME-NIMIO32 - SDRAM.SCHDOC




REG

VME-NIMIO32 - Voltage Regulators.SCHDOC

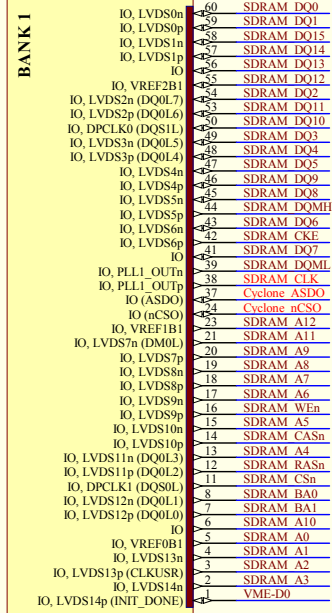


VME - NIMIO32 - Top Level

TRIUMF
LOGO

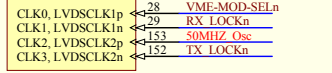
Revision 0	Drawing #: 1		TRIUMF 4004 Wesbrook Mall Vancouver, B.C. Canada V6T 2A3	
	Sheet #: 1 of 14	Size: A		
	Drawn by: D.Bishop	Date: 15/10/2009		
File: G:\AHW\VME-NIMIO32\ALTium\Altium\VME-NIMIO32 - Top Level.SCHDOC				
6:39:14 PM				

CYIA

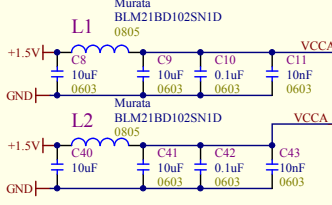


EPIC6Q240C6N

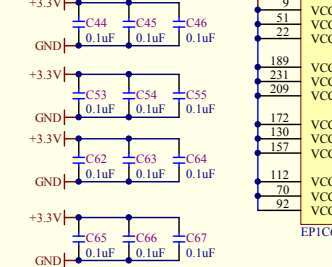
CYIH



EPIC6Q240C6N

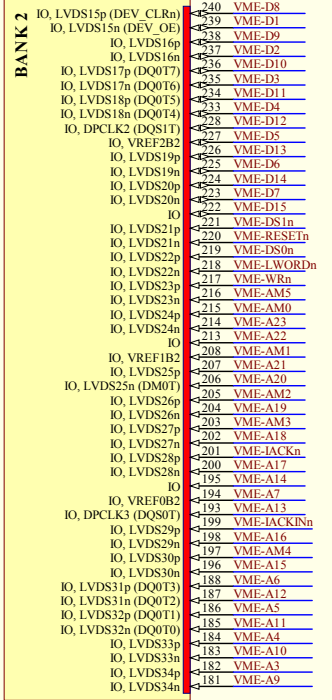


CYIF



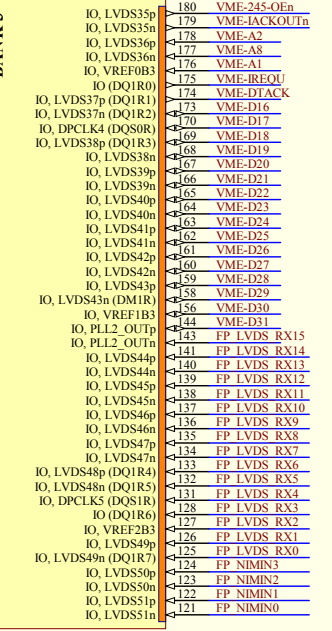
EPIC6Q240C6N

CYIB



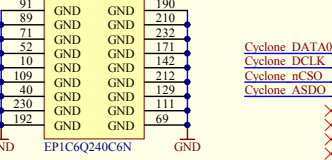
EPIC6Q240C6N

CYIC

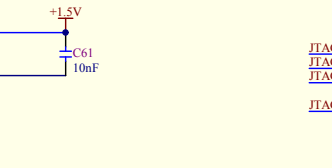
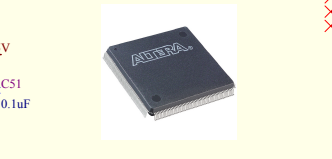


EPIC6Q240C6N

CYIG

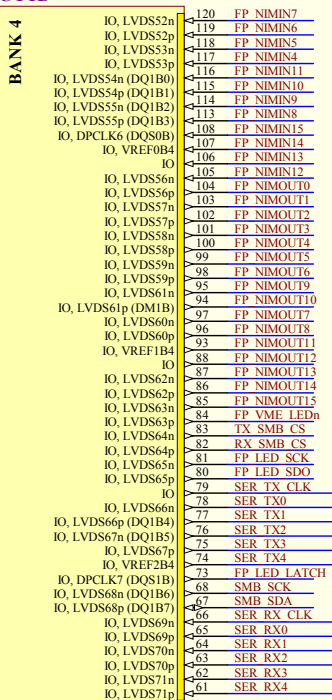


EPIC6Q240C6N



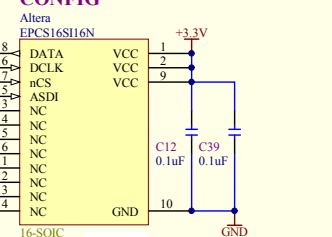
EPIC6Q240C6N

CYID



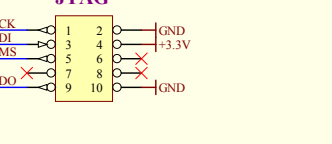
EPIC6Q240C6N

CONFIG



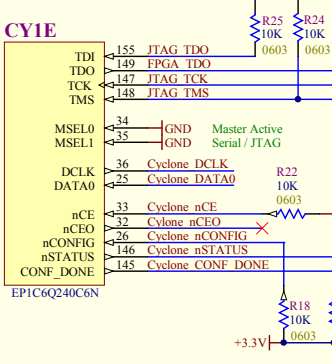
EPIC16S16N

JTAG



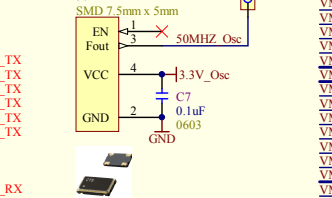
EPIC16S16N

CYIE



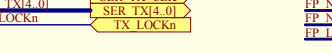
EPIC6Q240C6N

OSC



EPIC6Q240C6N

SER TX



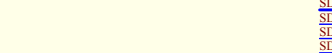
EPIC6Q240C6N

SER RX



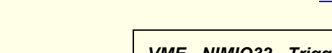
EPIC6Q240C6N

SMB SCK



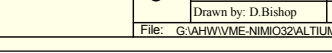
EPIC6Q240C6N

FP LED SCK



EPIC6Q240C6N

FP LED SDO



EPIC6Q240C6N

FP LED LATCH



EPIC6Q240C6N

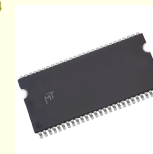
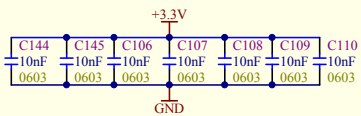
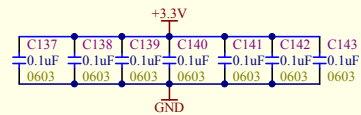
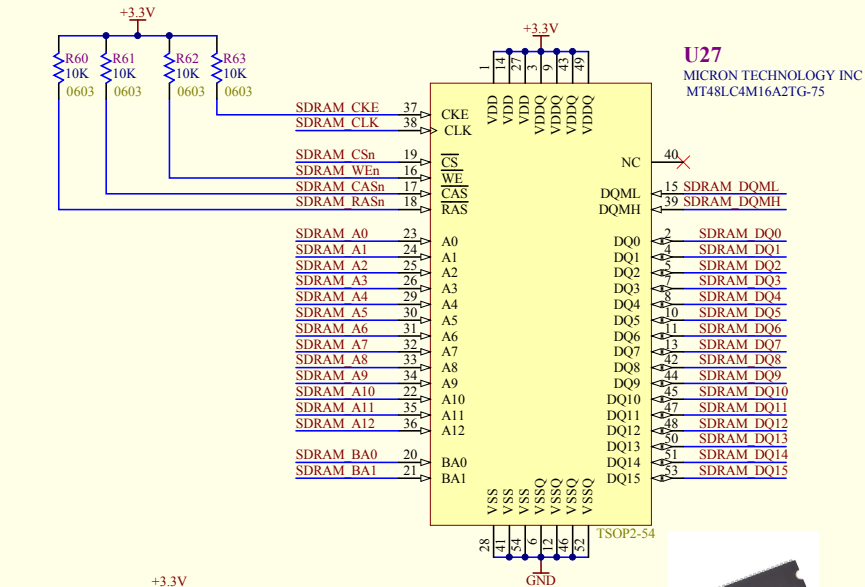
FP VME LEDn

EPIC6Q240C6N

VME - NIMIO32 - Trigger Logic & VME Interface

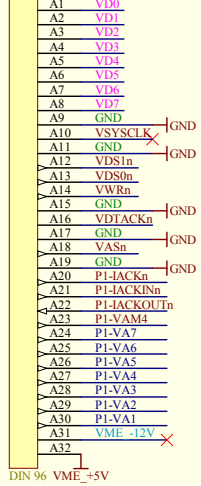
Revision	Drawing #: 2	TRUMF
0	Sheet #: 2 of 14	4004 Westbrook Mall
Drawn by: D.Bishop	Date: 15/10/2009	Vancouver, B.C.
		Canada
		VBT 2A3

SDRAM DQ[0..15]	SDRAM DQ[0..15]
SDRAM A[0..12]	SDRAM A[0..12]
SDRAM BA[0..1]	SDRAM BA[0..1]
SDRAM DQMH	SDRAM DQMH
SDRAM DQML	SDRAM DQML
SDRAM WEn	SDRAM WEn
SDRAM CASn	SDRAM CASn
SDRAM RASn	SDRAM RASn
SDRAM CSn	SDRAM CSn
SDRAM CKE	SDRAM CKE
SDRAM CLK	SDRAM CLK

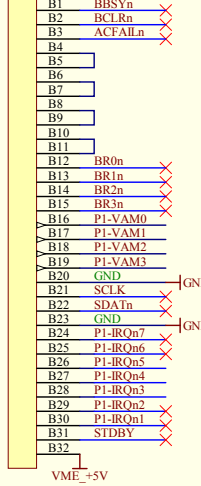


VME - NIMIO32 - SDRAM		
Revision	Drawing #: 3	TRIUMF 4004 Westbrook Mall Vancouver, B.C. Canada V6T 2A3
0	Sheet #: 3 of 14 Size: A	
	Drawn by: D.Bishop	Date: 15/10/2009
File: G:\AHW\VME-NIMIO32\ALTUM\Altium\VME-NIMIO32 - SDRAM.SCHDOC		6:39:14 PM

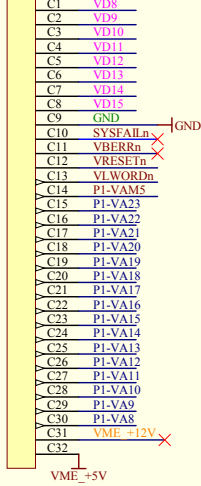
P1A
Tyco Electronics
650473-5



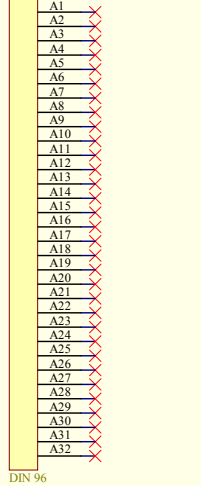
P1B
Tyco Electronics
650473-5



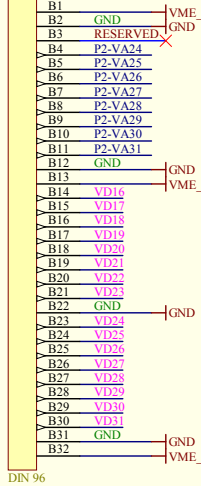
P1C
Tyco Electronics
650473-5



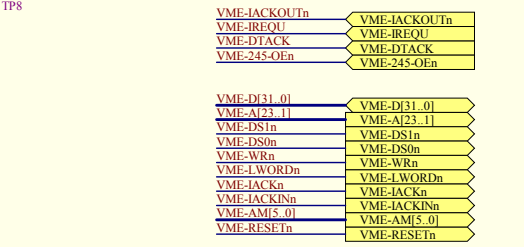
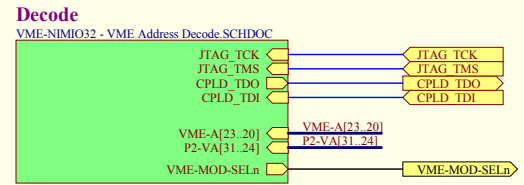
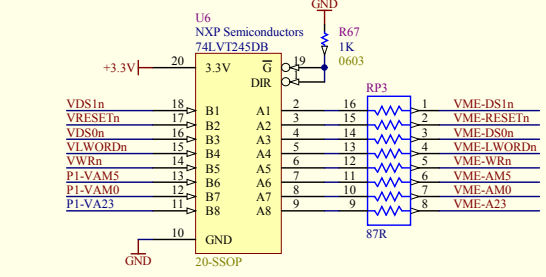
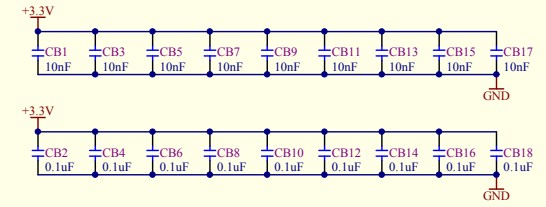
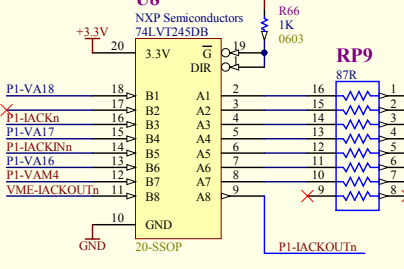
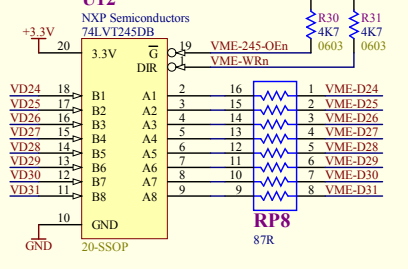
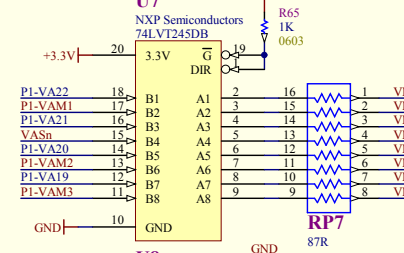
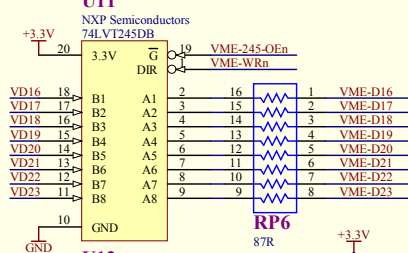
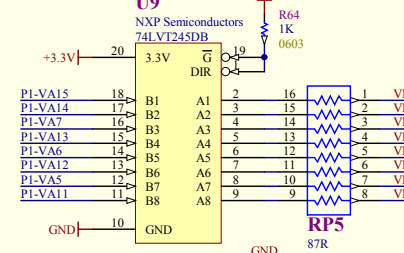
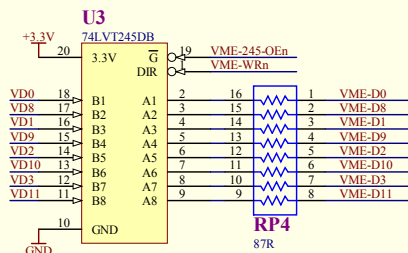
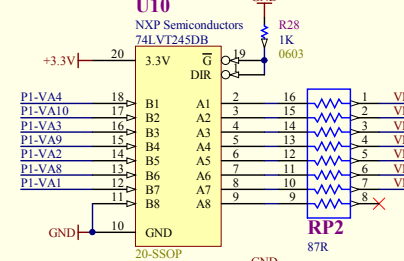
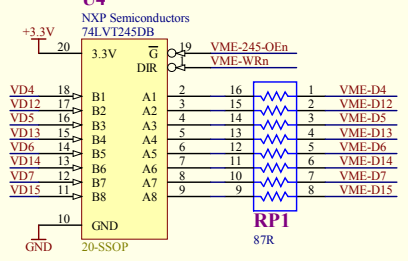
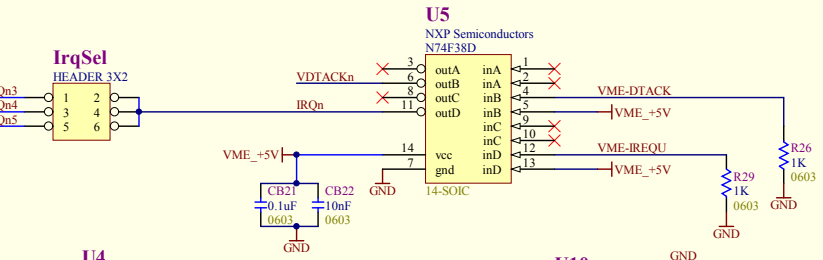
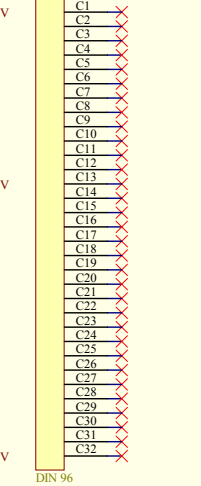
P2A
Tyco Electronics
650473-5



P2B
Tyco Electronics
650473-5

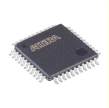


P2C
Tyco Electronics
650473-5



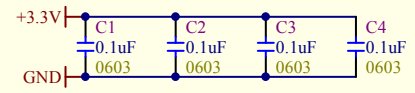
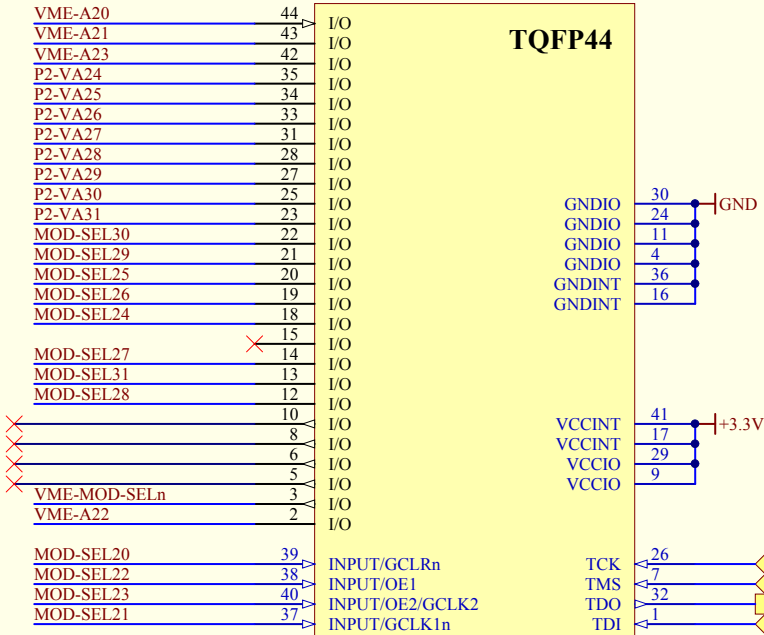
P2-VA[31..24] → P2-VA[31..24]
 VME-A[23..20] → VME-A[23..20]

VME-MOD-SELn → VME-MOD-SELn

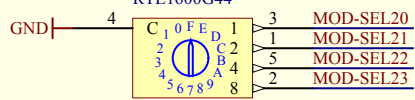


U1
 ALTERA
 EPM3032ATC44-7

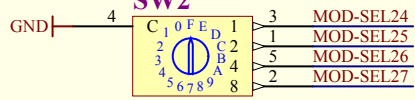
TQFP44



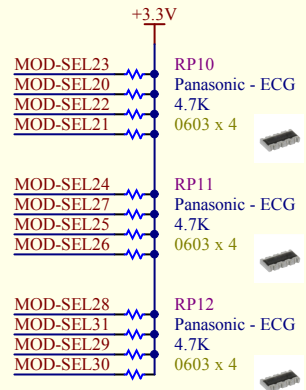
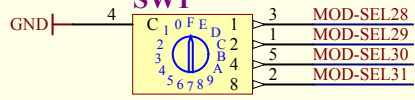
SW3
 ITT Industries
 RTE1600G44




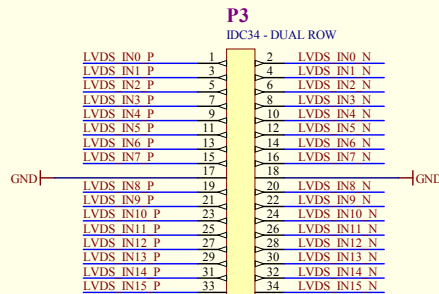
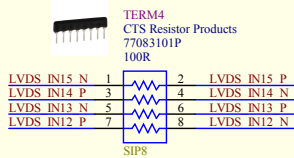
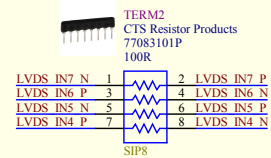
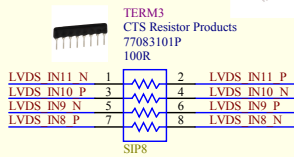
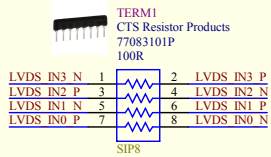
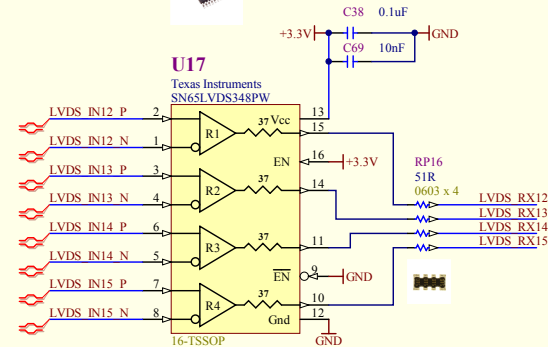
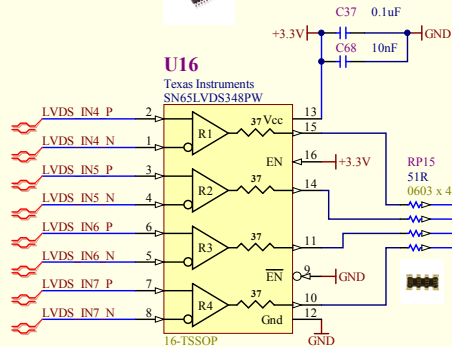
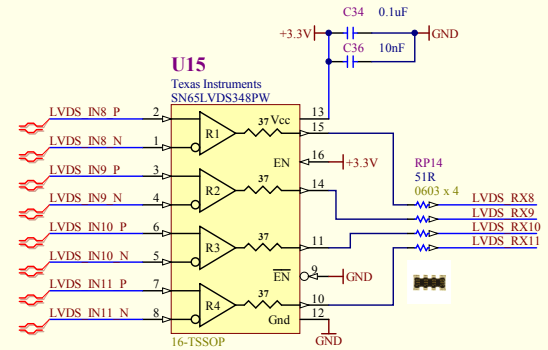
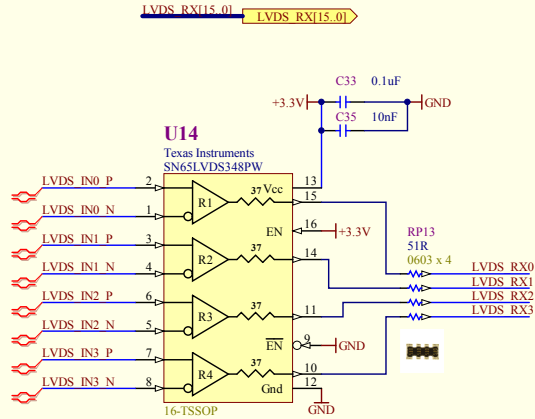
SW2




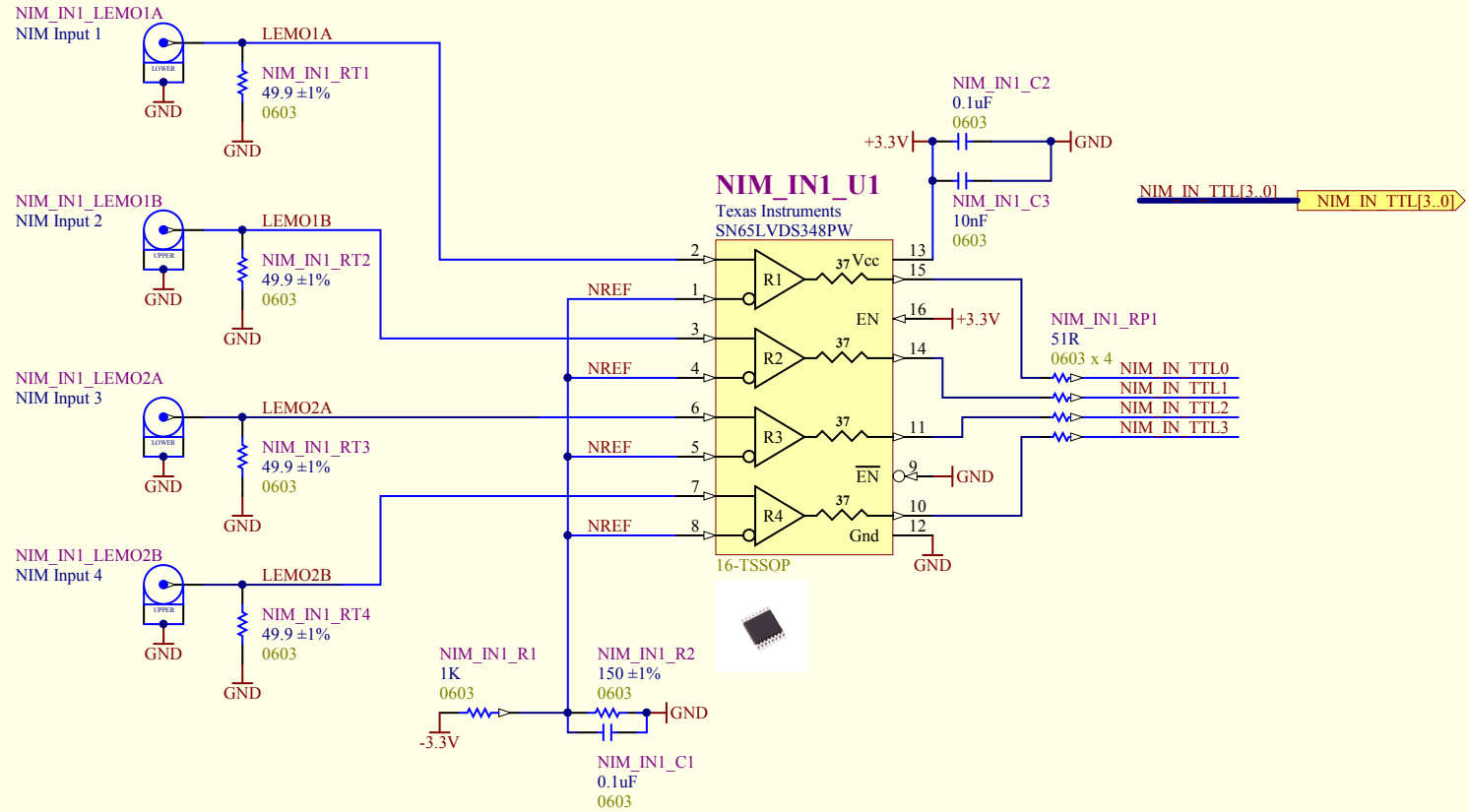
SW1




VME - NIMIO32 - VME Address Decode			
Revision	Drawing #: 5		TRIUMF 4004 Wesbrook Mall Vancouver, B.C. Canada V6T 2A3
0	Sheet #: 5 of 14	Size: A	
	Drawn by: D.Bishop	Date: 15/10/2009	
File: G:\AHW\VME-NIMIO32\ALTIUM\Altium\VME-NIMIO32 - VME Address Decode.SCH 10:06 PM			

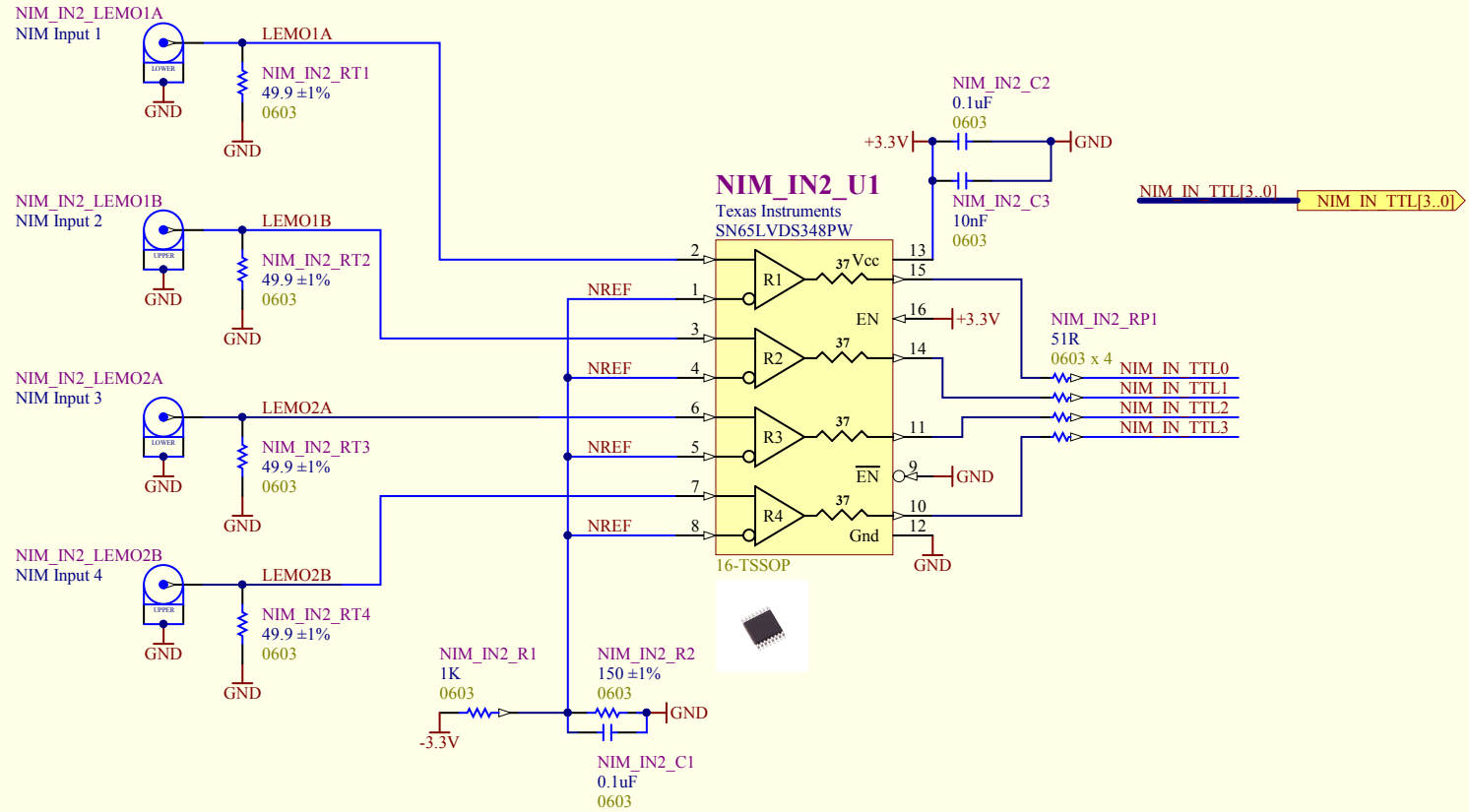


VMEIO - NIMIO32 - LVDS / ECL Input			
Revision	Drawing #: 6		TRIUMF 4004 Westbrook Mall Vancouver, B.C. Canada V6T 2A3
0	Sheet #: 6 of 14	Size: B	
	Drawn by: D.Bishop	Date: 15/10/2009	
File:	G:\AHW\VME-NIMIO32\ALTIUM\Altium-VME - NIMIO32 - LVDS_IN.SchDoc		




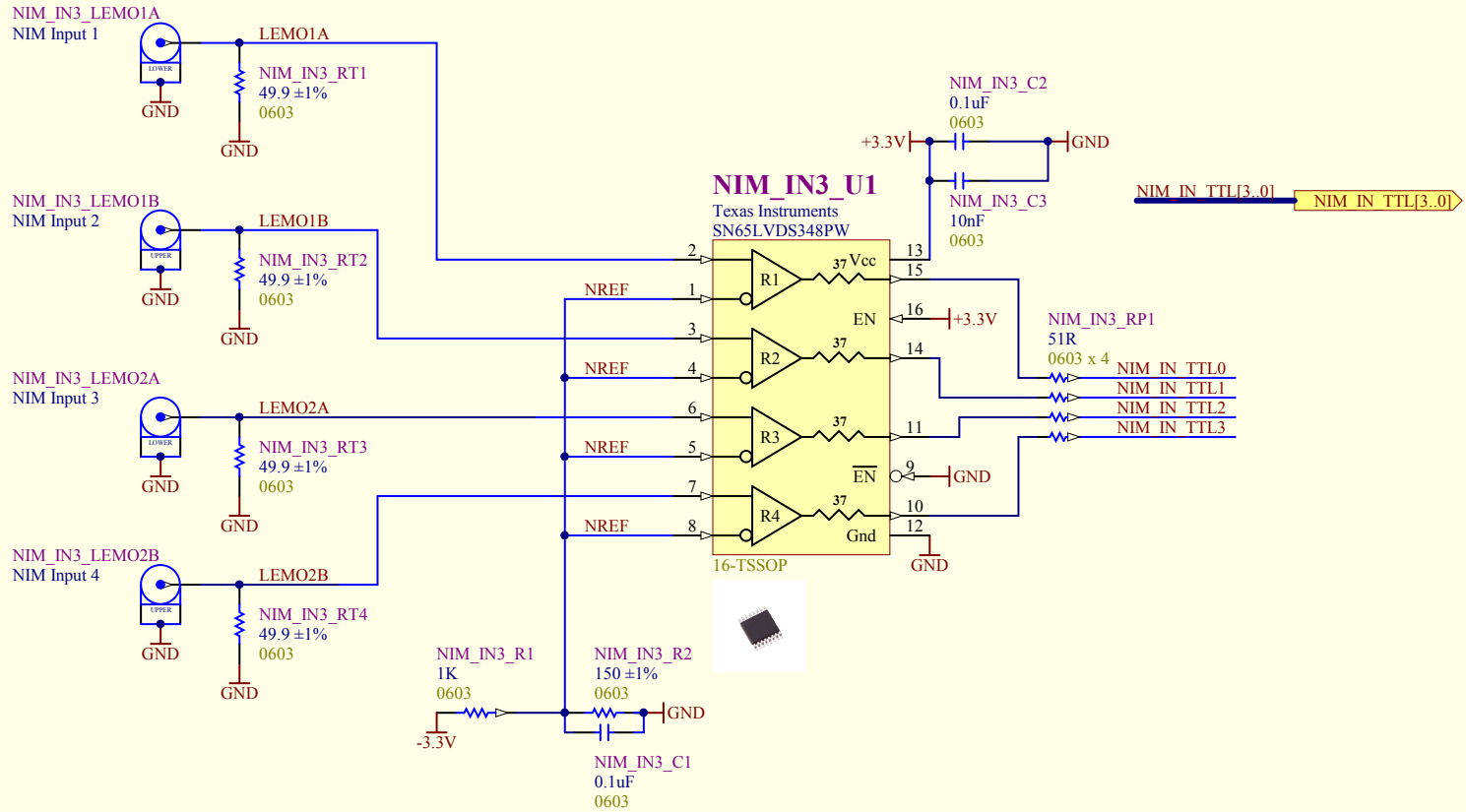
VMEIO - NIMIO32 - NIM INPUT

Revision 0	Drawing #: 7		TRIUMF 4004 Wesbrook Mall Vancouver, B.C. Canada V6T 2A3	
	Sheet #: 7 of 14	Size: A		
	Drawn by: D.Bishop	Date: 15/10/2009		
File: G:\AHW\VME-NIMIO32\ALTUM\Altium\VME - NIMIO32 - NIMIN.SchDoc				
				6:39:15 PM




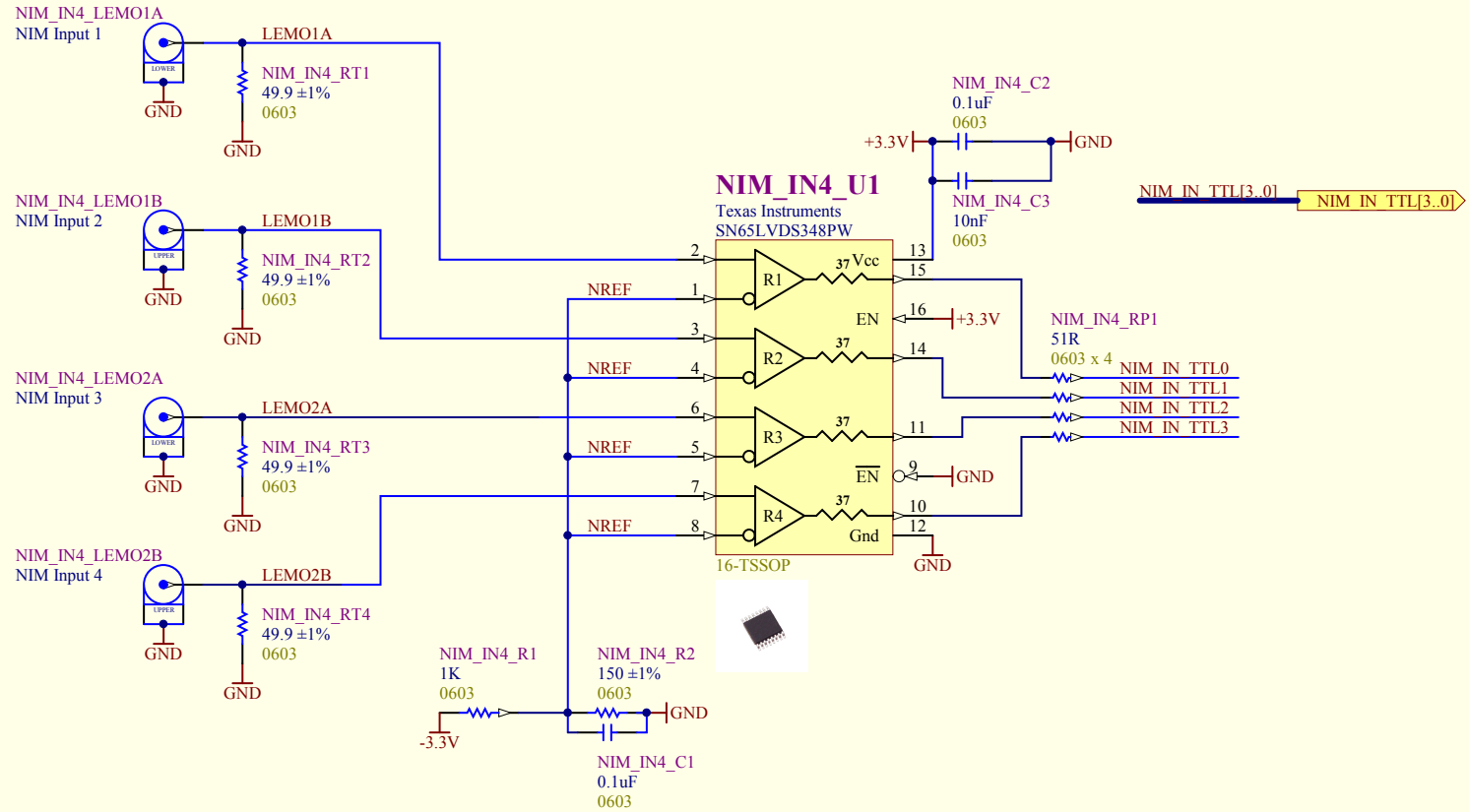
VMEIO - NIMIO32 - NIM INPUT

Revision 0	Drawing #: 7		TRIUMF 4004 Wesbrook Mall Vancouver, B.C. Canada V6T 2A3	
	Sheet #: 7 of 14	Size: A		
	Drawn by: D.Bishop	Date: 15/10/2009		
File: G:\AHW\VME-NIMIO32\ALTUM\Altium\VME - NIMIO32 - NIMIN.SchDoc				
6:39:16 PM				




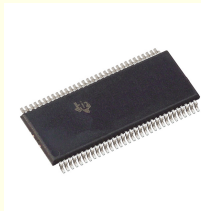
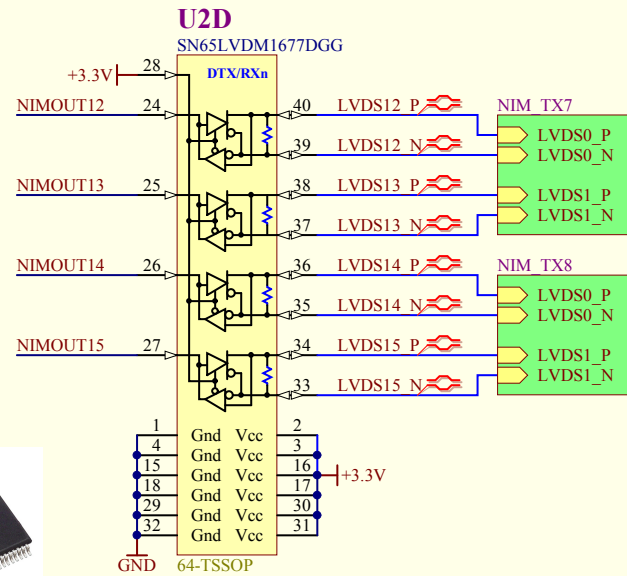
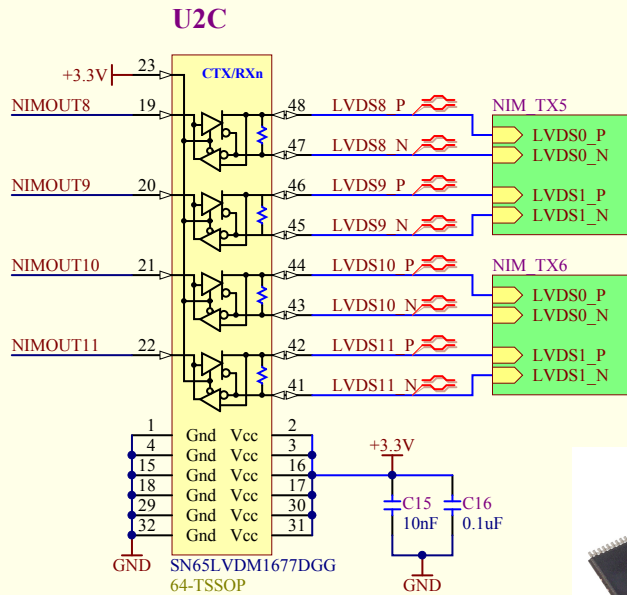
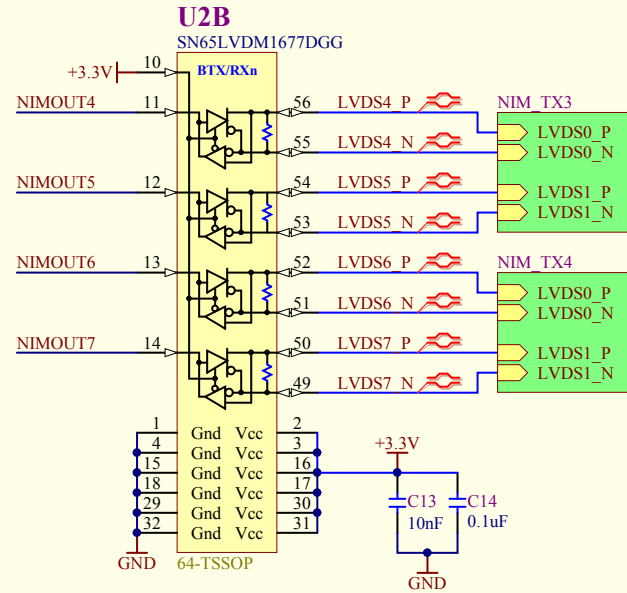
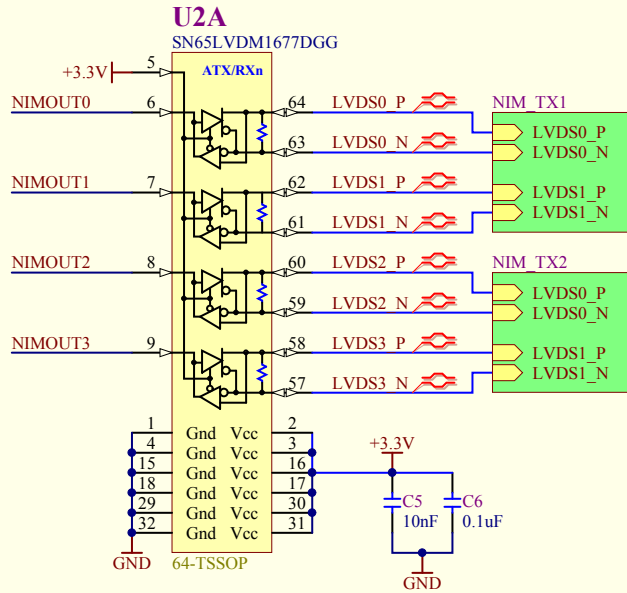
VMEIO - NIMIO32 - NIM INPUT

Revision 0	Drawing #: 7		TRIUMF 4004 Wesbrook Mall Vancouver, B.C. Canada V6T 2A3	
	Sheet #: 7 of 14	Size: A		
	Drawn by: D.Bishop	Date: 15/10/2009		
File: G:\AHW\VME-NIMIO32\ALTUM\Altium\VME - NIMIO32 - NIMIN.SchDoc				
				6:39:16 PM




VMEIO - NIMIO32 - NIM INPUT

Revision 0	Drawing #: 7		TRIUMF 4004 Wesbrook Mall Vancouver, B.C. Canada V6T 2A3	
	Sheet #: 7 of 14	Size: A		
	Drawn by: D.Bishop	Date: 15/10/2009		
File: G:\AHW\VME-NIMIO32\ALTUM\Altium\VME - NIMIO32 - NIMIN.SchDoc				
				6:39:16 PM



NIMOUT[15..0] — NIMOUT[15..0]

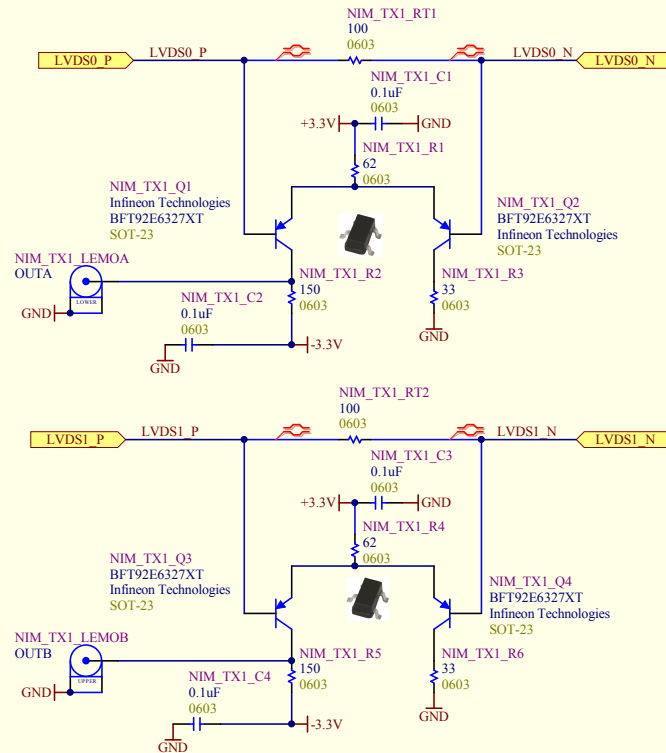
VMEIO - NIMIO32 - LVDS / ECL Input

Revision 0	Drawing #: 8		TRIUMF 4004 Wesbrook Mall Vancouver, B.C. Canada V6T 2A3	
	Sheet #: 8 of 14	Size: A		
	Drawn by: D.Bishop	Date: 15/10/2009		
File: G:\AHW\VME-NIMIO32\ALTium\Altium\VME - NIMIO32 - NIMOUT.SchDoc				
6:39:16 PM				

CHARACTERISTICS

T_j = 25 °C unless otherwise specified.

SYMBOL	PARAMETER	CONDITIONS	MIN.	TYP.	MAX.	UNIT
I _{CEO}	collector cut-off current	I _E = 0; V _{CE} = -10 V;	-	-	-50	nA
h _{FE}	DC current gain	I _C = -14 mA; V _{CE} = -10 V	20	50	-	
f _T	transition frequency	I _C = -14 mA; V _{CE} = -10 V; f = 500 MHz	-	5	-	GHz
C _c	collector capacitance	I _E = I _C = 0; V _{CE} = -10 V; f = 1 MHz	-	0.75	-	pF
C _e	emitter capacitance	I _C = I _E = 0; V _{CE} = -0.5 V; f = 1 MHz	-	0.8	-	pF
C _{fb}	feedback capacitance	I _C = -2 mA; V _{CE} = -10 V; f = 1 MHz	-	0.7	-	pF
G _{UM}	maximum unilateral power gain (note 1)	I _C = -14 mA; V _{CE} = -10 V; f = 500 MHz; T _{amb} = 25 °C	-	18	-	dB
F	noise figure	I _C = -5 mA; V _{CE} = -10 V; f = 500 MHz; T _{amb} = 25 °C	-	2.5	-	dB
V _o	output voltage	note 2	-	150	-	mV



Cyclone - LVDS


Output Offset Voltage

V_{os} Max: 1.375
 V_{os} Typ: 1.25
 V_{os} Min: 1.125

Diff Output Voltage

V_{od} Min: 250mv
 V_{od} Max: 600mv

VME - NIMIO32 - LVDS to NIM Converter

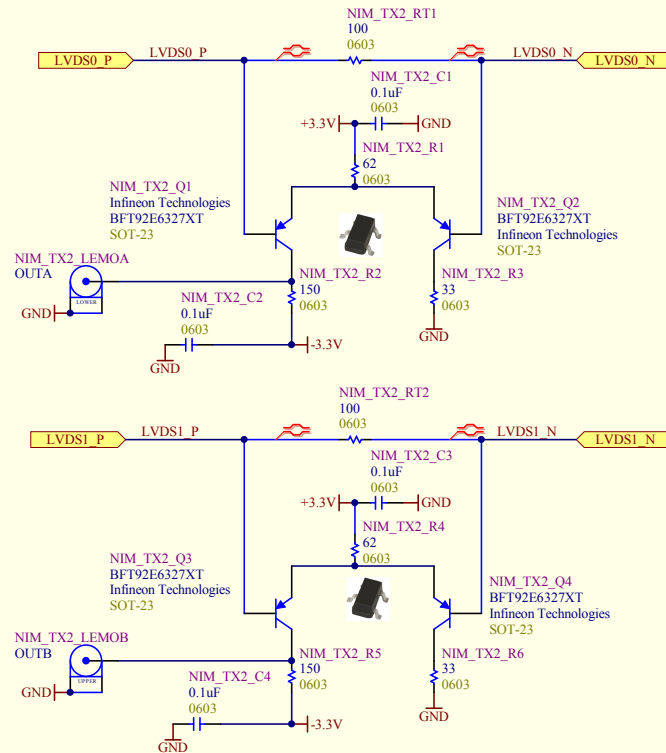
Revision	Drawing #: 9	TRUMF	
0	Sheet #: 9 of 14	4004 Westbrook Mall	
	Size: A	Vancouver, B.C.	
	Drawn by: D.Bishop	Canada	
	Date: 15/10/2009	V6T 2A3	

File: G:\AHW\VME-NIMIO32\ALTUM\Altium\VME-NIMIO32 - LVDS to NIM.SCHDOC 6:39:16 PM

CHARACTERISTICS

T_j = 25 °C unless otherwise specified.

SYMBOL	PARAMETER	CONDITIONS	MIN.	TYP.	MAX.	UNIT
I _{CBO}	collector cut-off current	I _E = 0; V _{CE} = -10 V;	-	-	-50	nA
h _{FE}	DC current gain	I _C = -14 mA; V _{CE} = -10 V	20	50	-	
f _T	transition frequency	I _C = -14 mA; V _{CE} = -10 V; f = 500 MHz	-	5	-	GHz
C _c	collector capacitance	I _E = I _C = 0; V _{CE} = -10 V; f = 1 MHz	-	0.75	-	pF
C _e	emitter capacitance	I _C = I _E = 0; V _{CE} = -0.5 V; f = 1 MHz	-	0.8	-	pF
C _{fb}	feedback capacitance	I _C = -2 mA; V _{CE} = -10 V; f = 1 MHz	-	0.7	-	pF
G _{UM}	maximum unilateral power gain (note 1)	I _C = -14 mA; V _{CE} = -10 V; f = 500 MHz; T _{amb} = 25 °C	-	18	-	dB
F	noise figure	I _C = -5 mA; V _{CE} = -10 V; f = 500 MHz; T _{amb} = 25 °C	-	2.5	-	dB
V _o	output voltage	note 2	-	150	-	mV



Cyclone - LVDS


Output Offset Voltage

V_{os} Max: 1.375
V_{os} Typ: 1.25
V_{os} Min: 1.125

Diff Output Voltage

V_{od} Min: 250mv
V_{od} Max: 600mv

VME - NIMIO32 - LVDS to NIM Converter

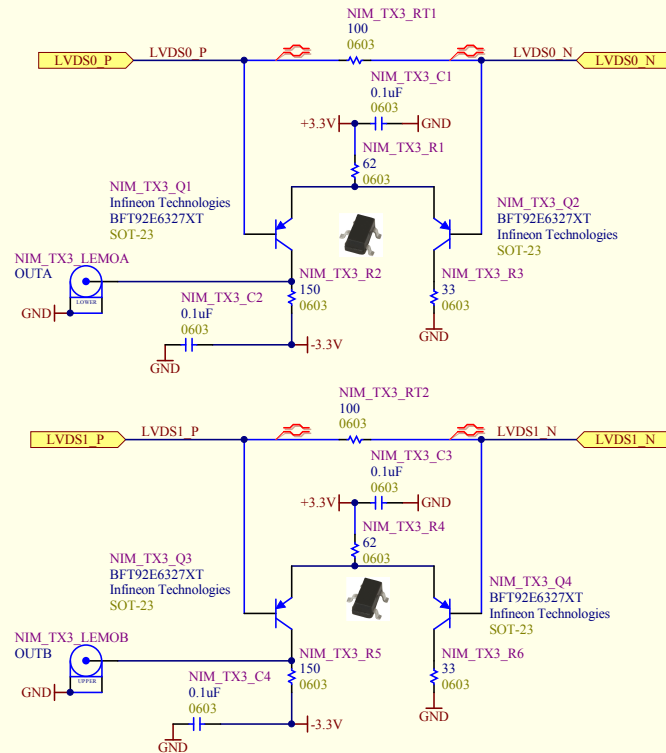
Revision 0	Drawing #: 9	TRIUMF 4004 Westbrook Mall Vancouver, B.C. Canada V6T 2A3		
	Sheet #: 9 of 14			Size: A
	Drawn by: D.Bishop			Date: 15/10/2009

File: G:\AHW\VME-NIMIO32\ALTium\Altium\VME-NIMIO32 - LVDS to NIM.SCHDOC 6:39:16 PM

CHARACTERISTICS

T_j = 25 °C unless otherwise specified.

SYMBOL	PARAMETER	CONDITIONS	MIN.	TYP.	MAX.	UNIT
I _{CEO}	collector cut-off current	I _E = 0; V _{CE} = -10 V;	-	-	-50	nA
h _{FE}	DC current gain	I _C = -14 mA; V _{CE} = -10 V	20	50	-	
f _T	transition frequency	I _C = -14 mA; V _{CE} = -10 V; f = 500 MHz	-	5	-	GHz
C _c	collector capacitance	I _E = I _C = 0; V _{CE} = -10 V; f = 1 MHz	-	0.75	-	pF
C _e	emitter capacitance	I _C = I _E = 0; V _{CE} = -0.5 V; f = 1 MHz	-	0.8	-	pF
C _{fb}	feedback capacitance	I _C = -2 mA; V _{CE} = -10 V; f = 1 MHz	-	0.7	-	pF
G _{UM}	maximum unilateral power gain (note 1)	I _C = -14 mA; V _{CE} = -10 V; f = 500 MHz; T _{amb} = 25 °C	-	18	-	dB
F	noise figure	I _C = -5 mA; V _{CE} = -10 V; f = 500 MHz; T _{amb} = 25 °C	-	2.5	-	dB
V _o	output voltage	note 2	-	150	-	mV



Cyclone - LVDS


Output Offset Voltage

V_{os} Max: 1.375
 V_{os} Typ: 1.25
 V_{os} Min: 1.125

Diff Output Voltage

V_{od} Min: 250mv
 V_{od} Max: 600mv

VME - NIMIO32 - LVDS to NIM Converter

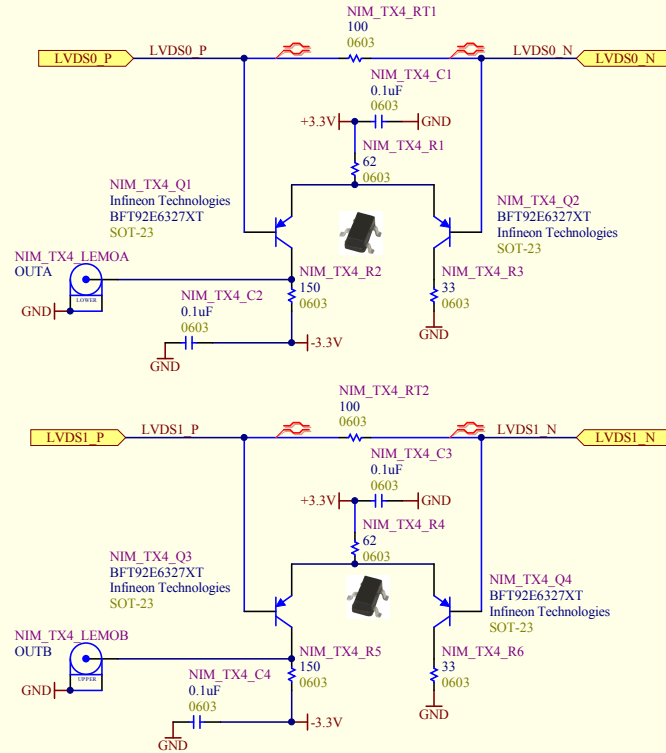
Revision	Drawing #: 9	TRUMF	
0	Sheet #: 9 of 14	4004 Westbrook Mall	
	Size: A	Vancouver, B.C.	
	Drawn by: D.Bishop	Canada	
	Date: 15/10/2009	V6T 2A3	

File: G:\AHW\VME-NIMIO32\ALTUM\Altium\VME-NIMIO32 - LVDS to NIM.SCHDOC 6:39:17 PM

CHARACTERISTICS

T_j = 25 °C unless otherwise specified.

SYMBOL	PARAMETER	CONDITIONS	MIN.	TYP.	MAX.	UNIT
I _{CBO}	collector cut-off current	I _E = 0; V _{CE} = -10 V;	-	-	-50	nA
I _{EE}	DC current gain	I _C = -14 mA; V _{CE} = -10 V	20	50	-	
f _T	transition frequency	I _C = -14 mA; V _{CE} = -10 V; f = 500 MHz	-	5	-	GHz
C _c	collector capacitance	I _E = I _C = 0; V _{CE} = -10 V; f = 1 MHz	-	0.75	-	pF
C _e	emitter capacitance	I _C = I _E = 0; V _{CE} = -0.5 V; f = 1 MHz	-	0.8	-	pF
C _{fb}	feedback capacitance	I _C = -2 mA; V _{CE} = -10 V; f = 1 MHz	-	0.7	-	pF
G _{UM}	maximum unilateral power gain (note 1)	I _C = -14 mA; V _{CE} = -10 V; f = 500 MHz; T _{amb} = 25 °C	-	18	-	dB
F	noise figure	I _C = -5 mA; V _{CE} = -10 V; f = 500 MHz; T _{amb} = 25 °C	-	2.5	-	dB
V _o	output voltage	note 2	-	150	-	mV



Cyclone - LVDS

Output Offset Voltage

V_{os} Max: 1.375
V_{os} Typ: 1.25
V_{os} Min: 1.125

Diff Output Voltage

V_{od} Min: 250mv
V_{od} Max: 600mv

VME - NIMIO32 - LVDS to NIM Converter

Revision

0

Drawing #: 9

Sheet #: 9 of 14

Size: A

Drawn by: D.Bishop

Date: 15/10/2009

TRIUMF

4004 Westbrook Mall
Vancouver, B.C.
Canada
V6T 2A3

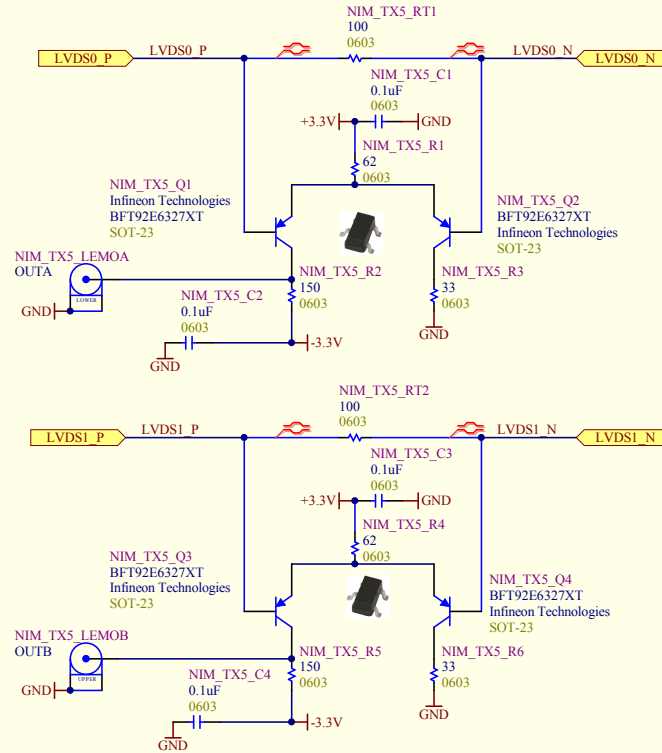


File: G:\AHW\VME-NIMIO32\ALTUM\Altium\VME-NIMIO32 - LVDS to NIM.SCHDOC 6:39:17 PM

CHARACTERISTICS

T_j = 25 °C unless otherwise specified.

SYMBOL	PARAMETER	CONDITIONS	MIN.	TYP.	MAX.	UNIT
I _{CBO}	collector cut-off current	I _E = 0; V _{CE} = -10 V;	-	-	-50	nA
h _{FE}	DC current gain	I _C = -14 mA; V _{CE} = -10 V	20	50	-	
f _T	transition frequency	I _C = -14 mA; V _{CE} = -10 V; f = 500 MHz	-	5	-	GHz
C _c	collector capacitance	I _E = I _C = 0; V _{CE} = -10 V; f = 1 MHz	-	0.75	-	pF
C _e	emitter capacitance	I _C = I _E = 0; V _{CE} = -0.5 V; f = 1 MHz	-	0.8	-	pF
C _{fb}	feedback capacitance	I _C = -2 mA; V _{CE} = -10 V; f = 1 MHz	-	0.7	-	pF
G _{UM}	maximum unilateral power gain (note 1)	I _C = -14 mA; V _{CE} = -10 V; f = 500 MHz; T _{amb} = 25 °C	-	18	-	dB
F	noise figure	I _C = -5 mA; V _{CE} = -10 V; f = 500 MHz; T _{amb} = 25 °C	-	2.5	-	dB
V _o	output voltage	note 2	-	150	-	mV



Cyclone - LVDS


Output Offset Voltage

V_{os} Max: 1.375
V_{os} Typ: 1.25
V_{os} Min: 1.125

Diff Output Voltage

V_{od} Min: 250mv
V_{od} Max: 600mv

VME - NIMIO32 - LVDS to NIM Converter

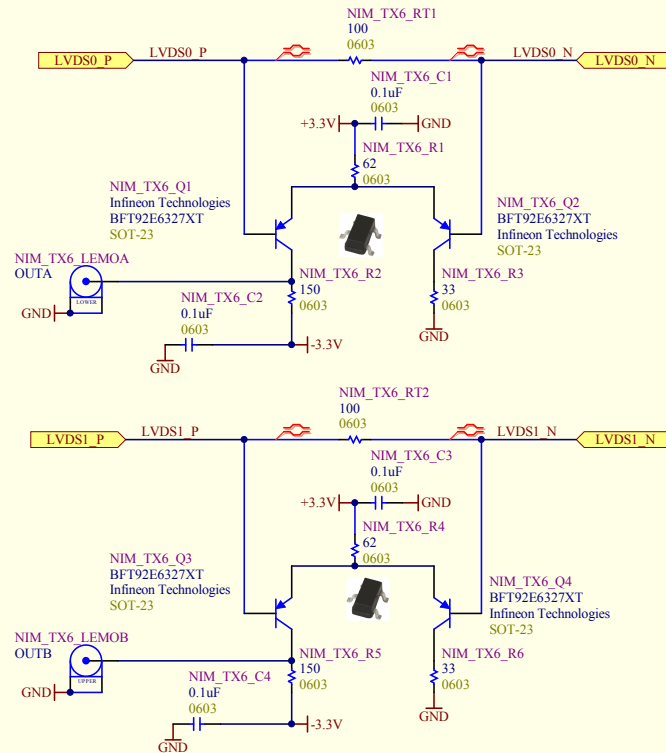
Revision	Drawing #: 9	TRUMF	
0	Sheet #: 9 of 14	Size: A	
	Drawn by: D.Bishop	Date: 15/10/2009	
	4004 Westbrook Mall Vancouver, B.C. Canada V6T 2A3		

File: G:\AHW\VME-NIMIO32\ALTUM\Altium\VME-NIMIO32 - LVDS to NIM.SCHDOC 6:39:17 PM

CHARACTERISTICS

T_j = 25 °C unless otherwise specified.

SYMBOL	PARAMETER	CONDITIONS	MIN.	TYP.	MAX.	UNIT
I _{CBO}	collector cut-off current	I _E = 0; V _{CE} = -10 V;	-	-	-50	nA
h _{FE}	DC current gain	I _C = -14 mA; V _{CE} = -10 V	20	50	-	
f _T	transition frequency	I _C = -14 mA; V _{CE} = -10 V; f = 500 MHz	-	5	-	GHz
C _c	collector capacitance	I _E = I _C = 0; V _{CE} = -10 V; f = 1 MHz	-	0.75	-	pF
C _e	emitter capacitance	I _C = I _E = 0; V _{CE} = -0.5 V; f = 1 MHz	-	0.8	-	pF
C _{fb}	feedback capacitance	I _C = -2 mA; V _{CE} = -10 V; f = 1 MHz	-	0.7	-	pF
G _{UM}	maximum unilateral power gain (note 1)	I _C = -14 mA; V _{CE} = -10 V; f = 500 MHz; T _{amb} = 25 °C	-	18	-	dB
F	noise figure	I _C = -5 mA; V _{CE} = -10 V; f = 500 MHz; T _{amb} = 25 °C	-	2.5	-	dB
V _o	output voltage	note 2	-	150	-	mV



Cyclone - LVDS


Output Offset Voltage

V_{os} Max: 1.375
V_{os} Typ: 1.25
V_{os} Min: 1.125

Diff Output Voltage

V_{od} Min: 250mv
V_{od} Max: 600mv

VME - NIMIO32 - LVDS to NIM Converter

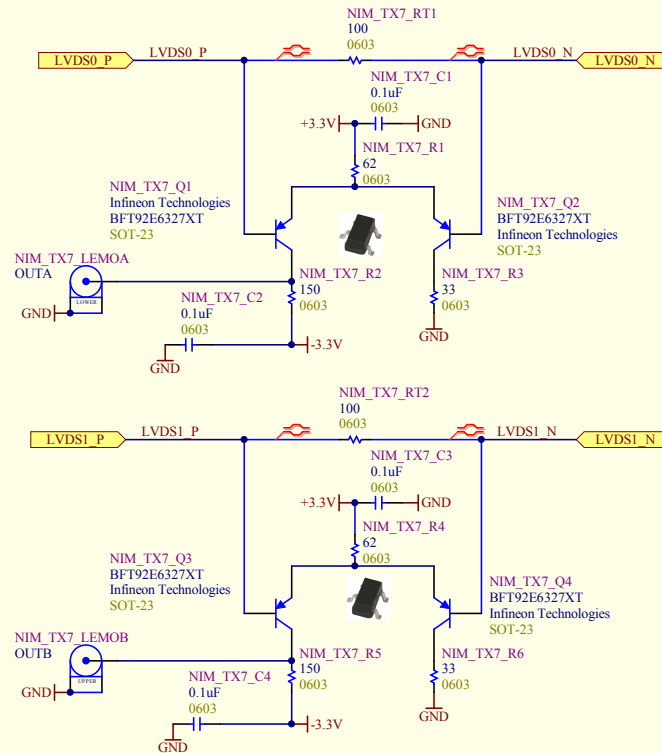
Revision	Drawing #: 9	TRUMF	
0	Sheet #: 9 of 14	4004 Westbrook Mall	
	Size: A	Vancouver, B.C.	
	Drawn by: D.Bishop	Canada	
	Date: 15/10/2009	V6T 2A3	

File: G:\AHW\VME-NIMIO32\ALTUM\Altium\VME-NIMIO32 - LVDS to NIM.SCHDOC 6:39:17 PM

CHARACTERISTICS

T_j = 25 °C unless otherwise specified.

SYMBOL	PARAMETER	CONDITIONS	MIN.	TYP.	MAX.	UNIT
I _{CBO}	collector cut-off current	I _E = 0; V _{CE} = -10 V;	-	-	-50	nA
h _{FE}	DC current gain	I _C = -14 mA; V _{CE} = -10 V	20	50	-	
f _T	transition frequency	I _C = -14 mA; V _{CE} = -10 V; f = 500 MHz	-	5	-	GHz
C _c	collector capacitance	I _E = I _C = 0; V _{CE} = -10 V; f = 1 MHz	-	0.75	-	pF
C _e	emitter capacitance	I _C = I _E = 0; V _{CE} = -0.5 V; f = 1 MHz	-	0.8	-	pF
C _{fb}	feedback capacitance	I _C = -2 mA; V _{CE} = -10 V; f = 1 MHz	-	0.7	-	pF
G _{UM}	maximum unilateral power gain (note 1)	I _C = -14 mA; V _{CE} = -10 V; f = 500 MHz; T _{amb} = 25 °C	-	18	-	dB
F	noise figure	I _C = -5 mA; V _{CE} = -10 V; f = 500 MHz; T _{amb} = 25 °C	-	2.5	-	dB
V _o	output voltage	note 2	-	150	-	mV



Cyclone - LVDS


Output Offset Voltage

V_{os} Max: 1.375
V_{os} Typ: 1.25
V_{os} Min: 1.125

Diff Output Voltage

V_{od} Min: 250mv
V_{od} Max: 600mv

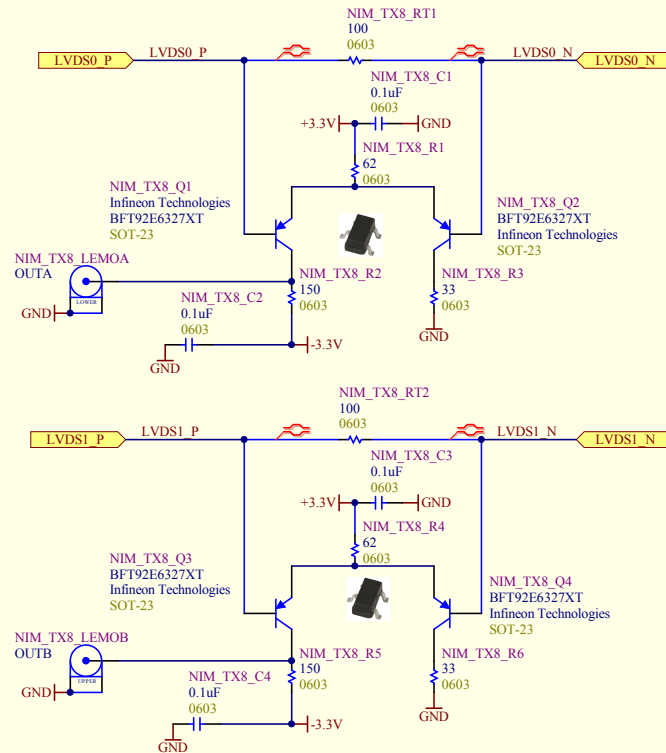
VME - NIMIO32 - LVDS to NIM Converter

Revision	Drawing #: 9	TRUMF	
0	Sheet #: 9 of 14	4004 Westbrook Mall	
	Size: A	Vancouver, B.C.	
	Drawn by: D.Bishop	Canada	
	Date: 15/10/2009	V6T 2A3	

CHARACTERISTICS

T_j = 25 °C unless otherwise specified.

SYMBOL	PARAMETER	CONDITIONS	MIN.	TYP.	MAX.	UNIT
I _{CBO}	collector cut-off current	I _E = 0; V _{CE} = -10 V;	-	-	-50	nA
h _{FE}	DC current gain	I _C = -14 mA; V _{CE} = -10 V	20	50	-	
f _T	transition frequency	I _C = -14 mA; V _{CE} = -10 V; f = 500 MHz	-	5	-	GHz
C _c	collector capacitance	I _E = I _C = 0; V _{CE} = -10 V; f = 1 MHz	-	0.75	-	pF
C _e	emitter capacitance	I _C = I _E = 0; V _{CE} = -0.5 V; f = 1 MHz	-	0.8	-	pF
C _{fb}	feedback capacitance	I _C = -2 mA; V _{CE} = -10 V; f = 1 MHz	-	0.7	-	pF
G _{UM}	maximum unilateral power gain (note 1)	I _C = -14 mA; V _{CE} = -10 V; f = 500 MHz; T _{amb} = 25 °C	-	18	-	dB
F	noise figure	I _C = -5 mA; V _{CE} = -10 V; f = 500 MHz; T _{amb} = 25 °C	-	2.5	-	dB
V _o	output voltage	note 2	-	150	-	mV



Cyclone - LVDS


Output Offset Voltage

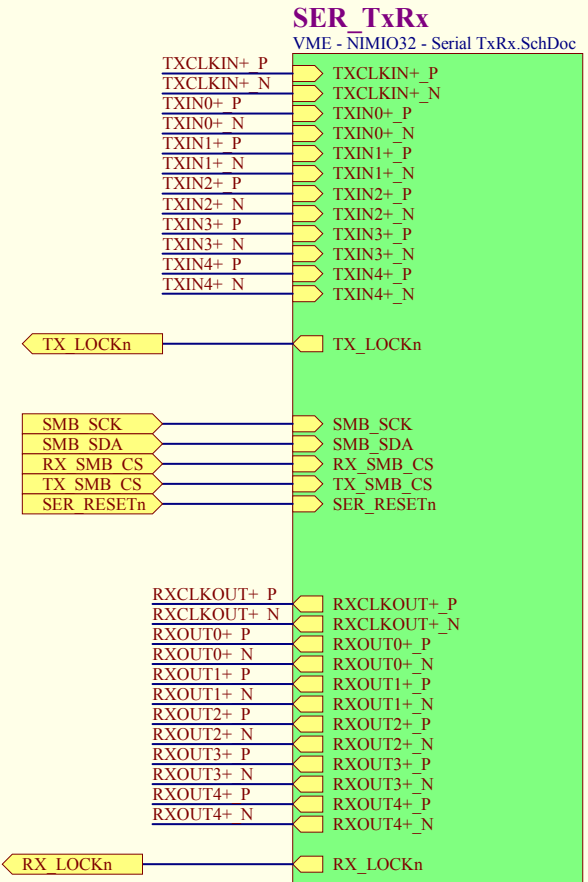
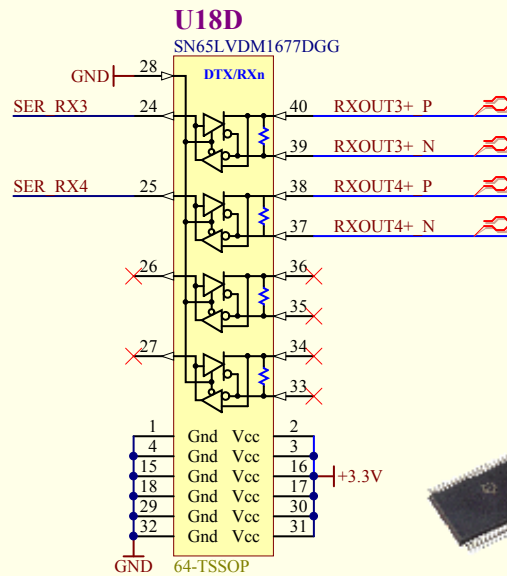
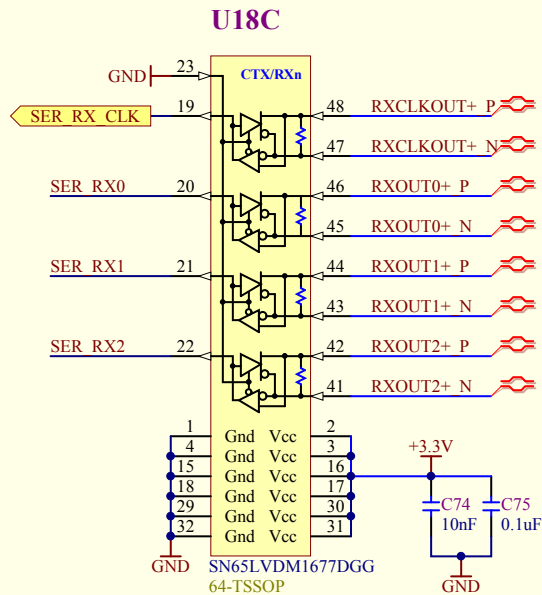
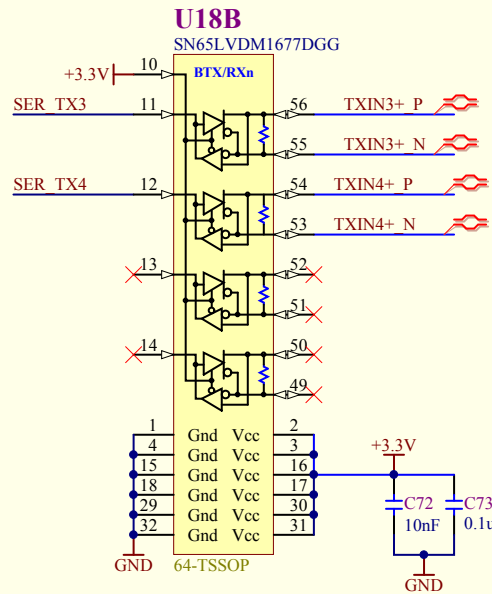
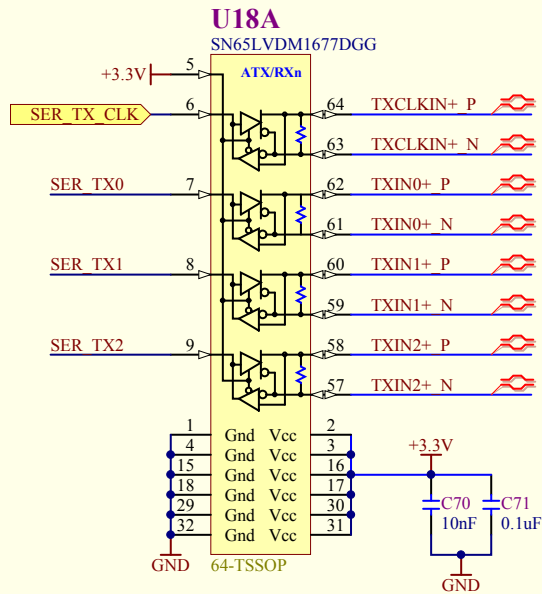
V_{os} Max: 1.375
V_{os} Typ: 1.25
V_{os} Min: 1.125

Diff Output Voltage

V_{od} Min: 250mv
V_{od} Max: 600mv

VME - NIMIO32 - LVDS to NIM Converter

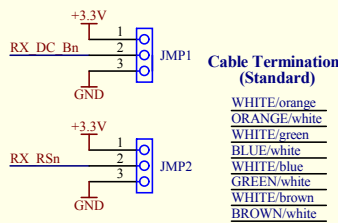
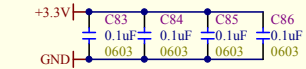
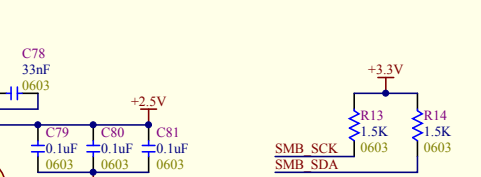
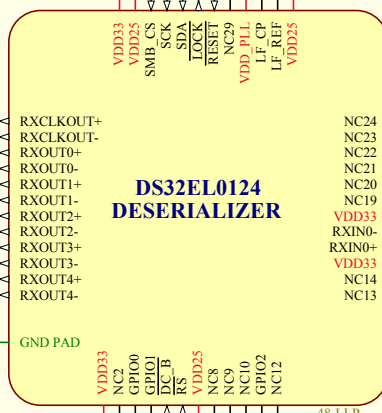
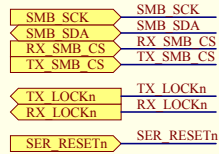
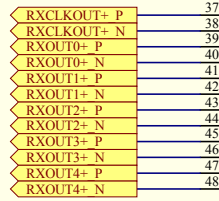
Revision	Drawing #: 9	TRUMF	
0	Sheet #: 9 of 14	Size: A	
	Drawn by: D.Bishop	Date: 15/10/2009	
	4004 Westbrook Mall Vancouver, B.C. Canada V6T 2A3		
File: G:\AHW\VME-NIMIO32\ALTUM\Altium\VME-NIMIO32 - LVDS to NIM.SCHDOC 6:39:18 PM			



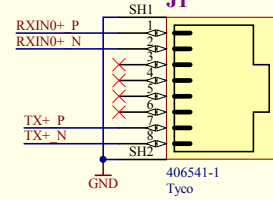
VMEIO - NIMIO32 - High Speed Serial

Revision	Drawing #: 10	TRIUMF 4004 Wesbrook Mall Vancouver, B.C. Canada V6T 2A3	
0	Sheet #: 10 of 14		
	Drawn by: D.Bishop	Date: 15/10/2009	
File: G:\AHW\VME-NIMIO32\ALTium\Altium\VME - NIMIO32 - High Speed Serial.SchDoc			
			6:39:18 PM

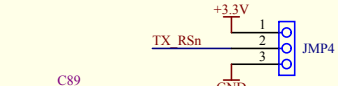
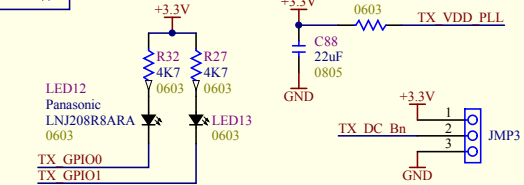
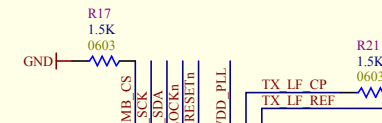
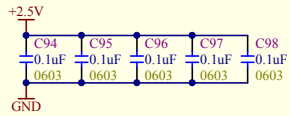
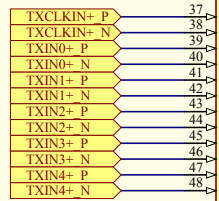
U19
National Semiconductor
DS32EL0124SQE/NOPB



ERROR:
Placed backwards on PCB

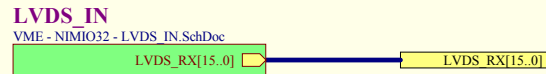
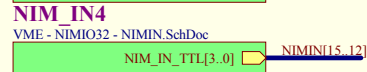
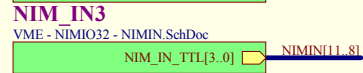
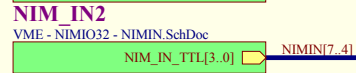
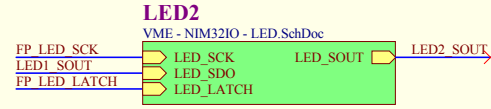
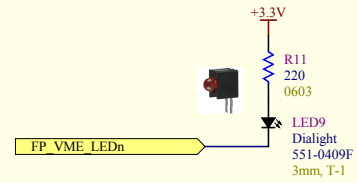
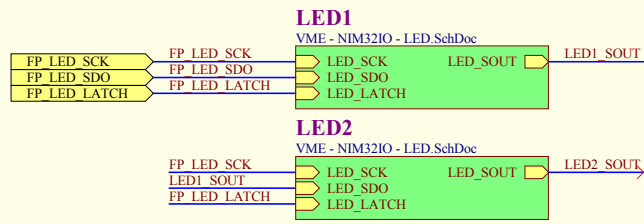


U20
National Semiconductor
DS32EL0421SQE/NOPB




VME - NIMIO32 - TX/RX Serializer

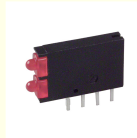
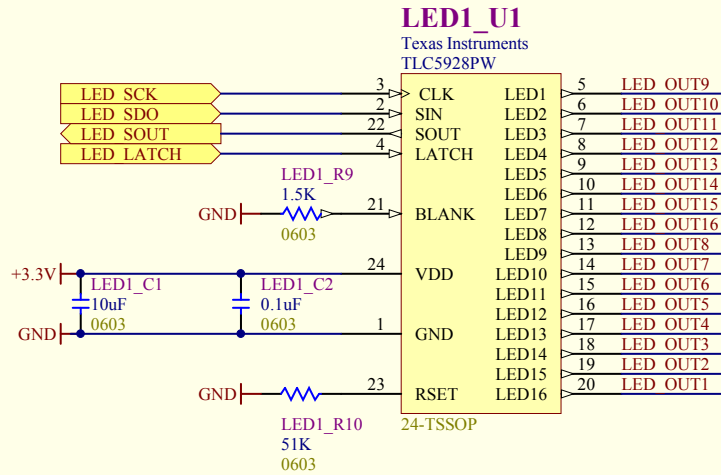
Revision	Drawing #: 11	TRUUMF
0	Sheet #: 11 of 14	4004 Wesbrook Mall
	Size: A	Vancouver, B.C.
	Drawn by: D.Bishop	Canada
	Date: 15/10/2009	V6T 2A3



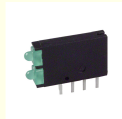
VME - NIMIO32 - Front Panel

Revision 0	Drawing #: 12	TRIUMF 4004 Westbrook Mall Vancouver, B.C. Canada V6T 2A3	
	Sheet #: 12 of 14		
	Drawn by: D.Bishop	Date: 15/10/2009	
File: G:\AHW\VME-NIMIO32\ALTium\Altium\VME-NIMIO32 - Front Panel SCHDOC			6:39:18 PM

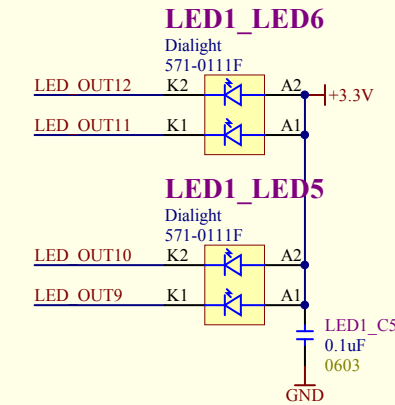
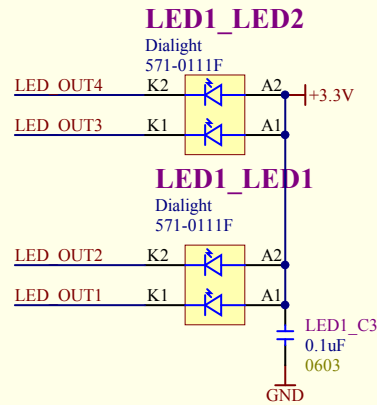
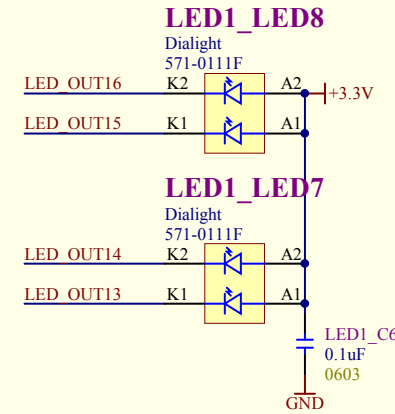
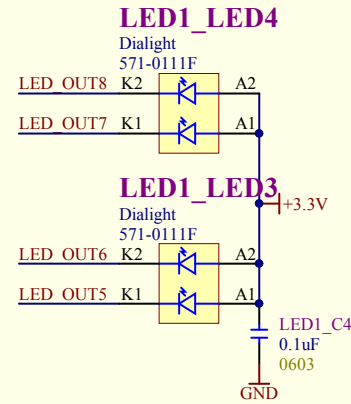
Alternate Part Numbers:
 ST Microelectronics - STP16CP05TTR
 Catalyst Semiconductor - CAT4016Y-T2
 Allegro - A6282ELP-T




OUTPUTS
 Red LEDs: 571-0111F



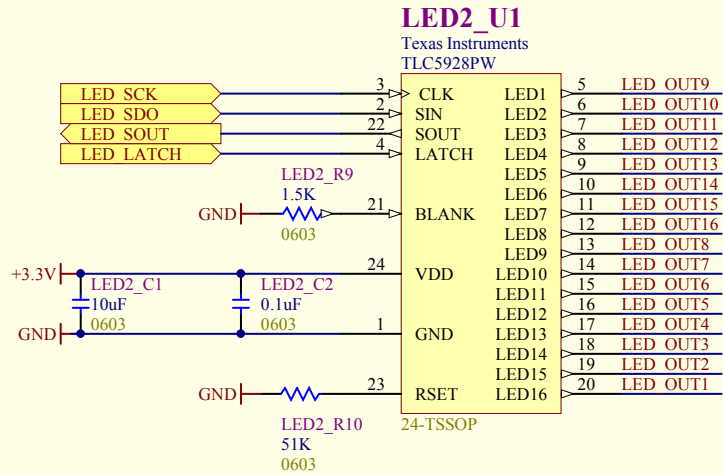
INPUTS
 Green LEDs: 571-0122F



VME - NIMIO32 - Front Panel LEDs and driver

Revision 0	Drawing #: 13		TRIUMF 4004 Wesbrook Mall Vancouver, B.C. Canada V6T 2A3	
	Sheet #: 13 of 14	Size: A		
	Drawn by: D.Bishop	Date: 15/10/2009		
File: G:\AHW\VME-NIMIO32\ALTUM\Altium\VME - NIM32IO - LED.SchDoc				
6:39:18 PM				

Alternate Part Numbers:
 ST Microelectronics - STP16CP05TTR
 Catalyst Semiconductor - CAT4016Y-T2
 Allegro - A6282ELP-T



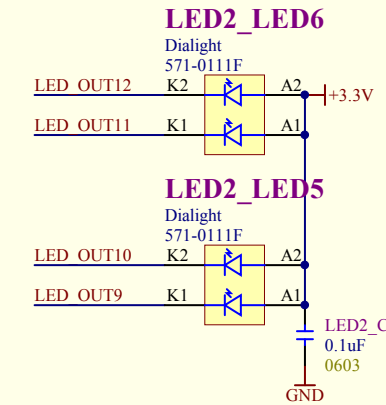
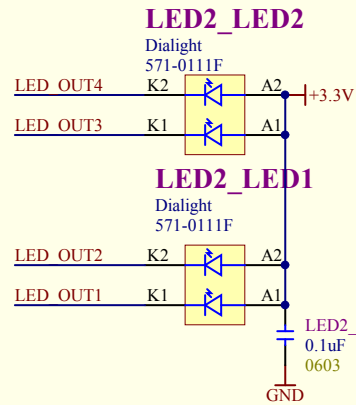
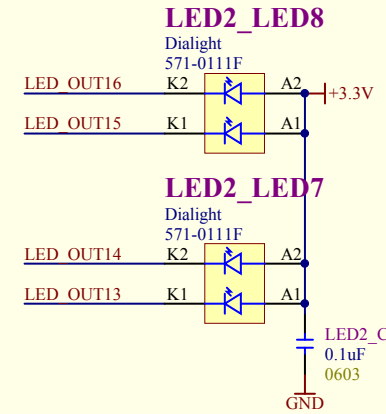
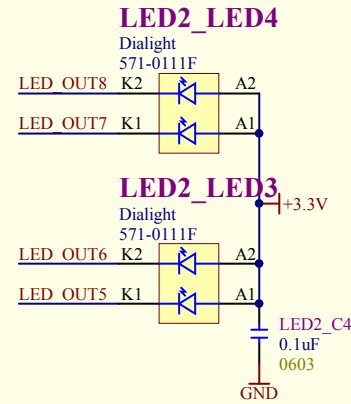
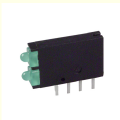
OUTPUTS

Red LEDs: 571-0111F




INPUTS

Green LEDs: 571-0122F



VME - NIMIO32 - Front Panel LEDs and driver

Revision 0	Drawing #: 13		TRIUMF 4004 Wesbrook Mall Vancouver, B.C. Canada V6T 2A3	
	Sheet #: 13 of 14	Size: A		
	Drawn by: D.Bishop	Date: 15/10/2009		
File: G:\AHW\VME-NIMIO32\ALTUM\Altium\VME - NIM32IO - LED.SchDoc				
6:39:19 PM				

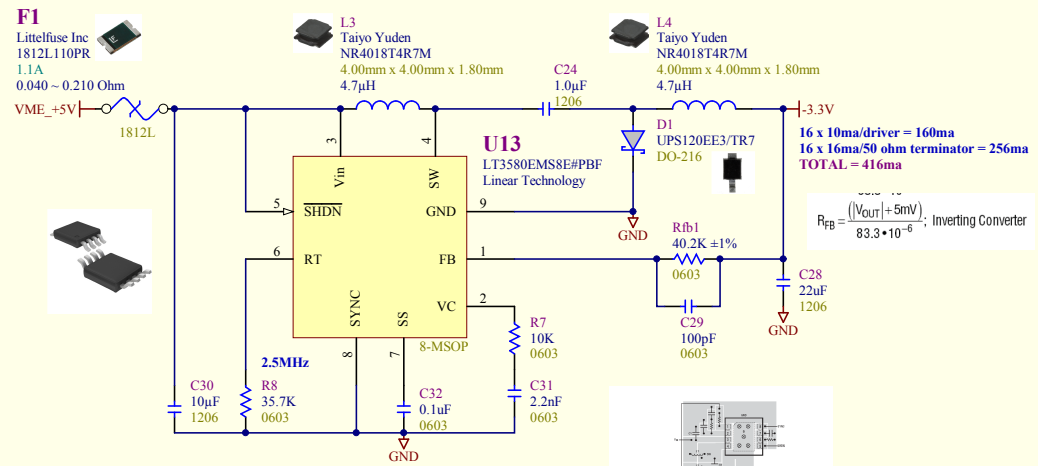
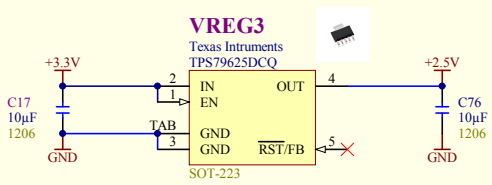
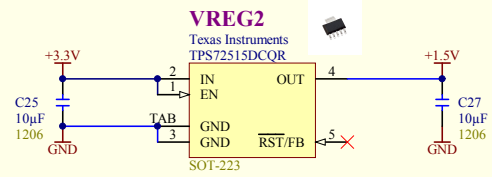
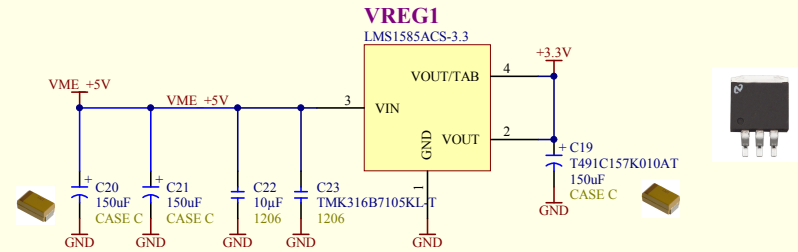


Figure 11. Regulator Connected Forward for Non-Pulsed Load (VIN and VOUT Positive, Not to Scale)

VME - NIMIO32 - Voltage Regulators		
Revision	Drawing #: 14	TRUMF
0	Sheet #: 14 of 14	4004 Westbrook Mall
	Size: A	Vancouver, B.C.
Drawn by: D.Bishop	Date: 15/10/2009	Canada
		V6T 2A3
File: G:\AHW\VME-NIMIO32\ALTIUM\Altium\VME-NIMIO32 - Voltage Regulators.SCHDOC		6:39:19 PM